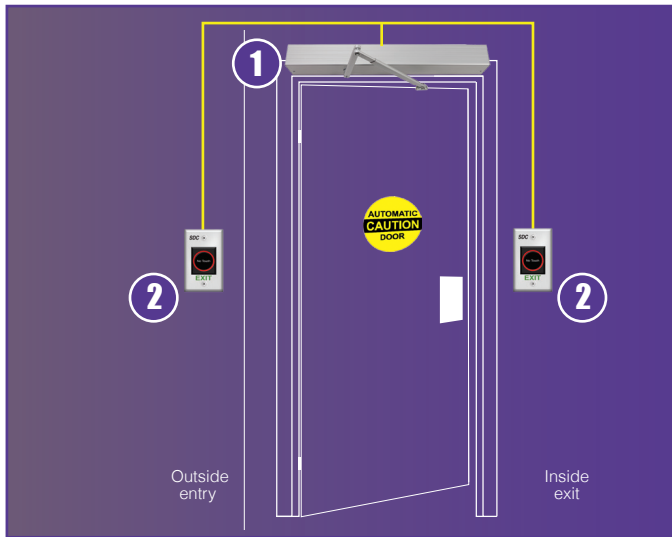


Hands Free Entrance Solution

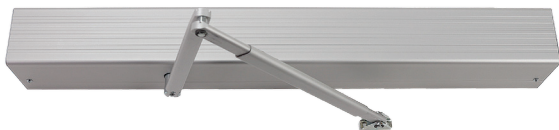
- Customer and Employee Safety
- Low Energy Operation
- Sanitary
- Reduce Liability



SDC's Hands Free Entrance Door Solution is a simple, straightforward and common-sense answer to meeting the need for public health and safety during a crisis. No need to ever touch a door again **on the way in or out** of a public facility. A wave of the hand in front of the **474U Sanitary Touchless Exit Switch** activates the **Auto EntryControl™ Low Energy Swing Door Operator** for entry or egress. Also, great for hospitals, labs, cleanrooms and other facilities where contamination control is required.

1 AUTO ENTRYCONTROL™

AUTO336V Low Energy Swing Door Operator with 1Amp + Power Output & Sequencer



- Easy, One-Man Installation
- Single Button, Self-Tuning Setup
- No need for a separate Power Supply
- Non-handed
- Power-Close Feature
- Plug N Play Access Control System Installation
- Push and Pull Arms with Spindles Included

2 NO TOUCH WAVE-TO-EXIT SWITCH



474U Sanitary Touchless Exit Switch Entry & Egress

- Uses IR Sensor Technology; Device is Active with the Simple Wave of a Hand
- Dual LED, Illuminated Sensor, Red/Green Indicates Inactive/Active Status
- Senses wave of hand up to 5 inches
- No moving parts

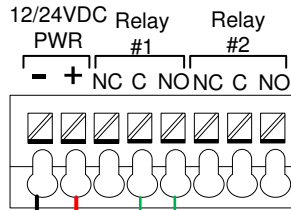
* Building code enforcement relating to automatic doors and switch placement varies across the country - even with national ANSI and ADA standards. Consult your local Authority Having Jurisdiction (AHJ) for compliance requirements.



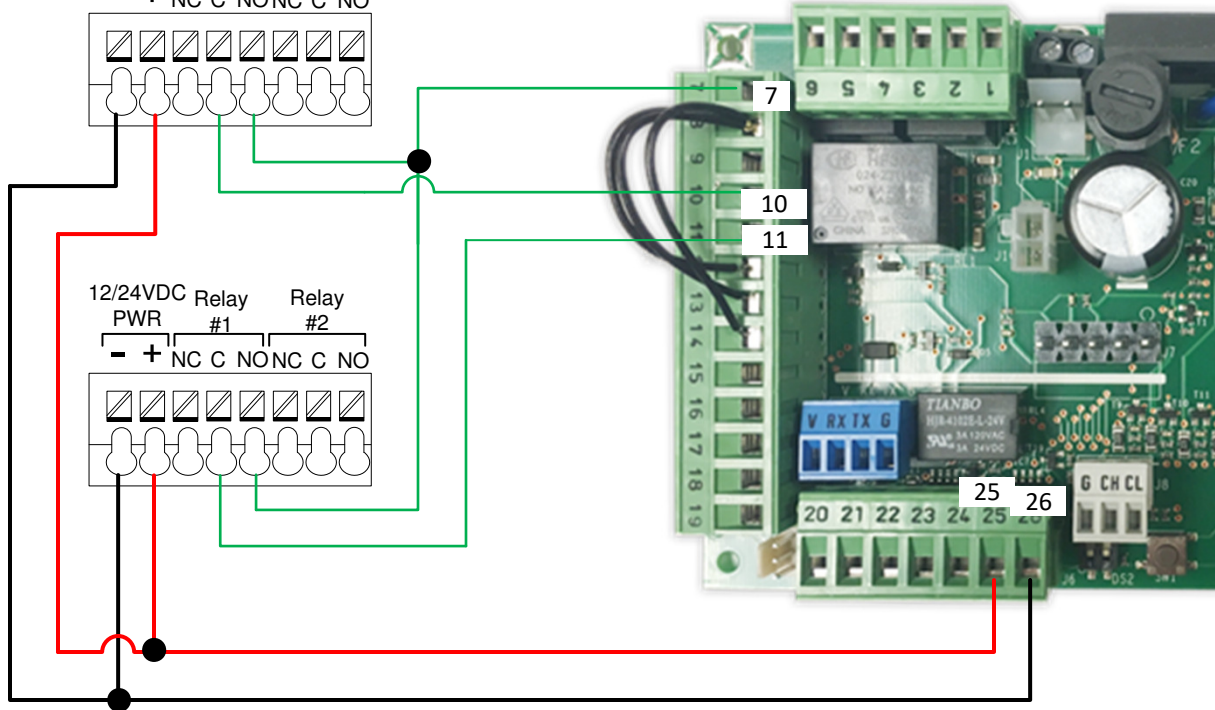
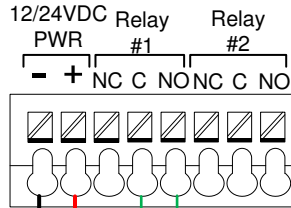
The lock behind your system

(800) 413-8783 • WWW.SDCSECURITY.COM

474U
Touchless Switch
Terminal Block
(Inside)



474U
Touchless Switch
Terminal Block
(Outside)



AUTO EntryControl™
AUTO136V (Push) or
AUTO236V (Pull)
I/O Board

GENERAL NOTES:

(1) ALL WIRING MUST BE REVIEWED AND APPROVED BY THE PROJECT ENGINEER ASSIGNED TO THE LOCATION FOR IT'S CORRECTNESS AND SUITABILITY FOR THE APPLICATION IN WHICH THE EQUIPMENT INSTALLED AND OPERATED.

(2) ALL WIRING MUST CONFORM TO NATIONAL, STATE, AND LOCAL CODES FOR CLASS 2 FIRE PROTECTION AND CONTROL DEVICES.

(3) ALWAYS CONSULT WITH THE AUTHORITY HAVING JURISDICTION (AHJ) BEFORE INSTALLATION.

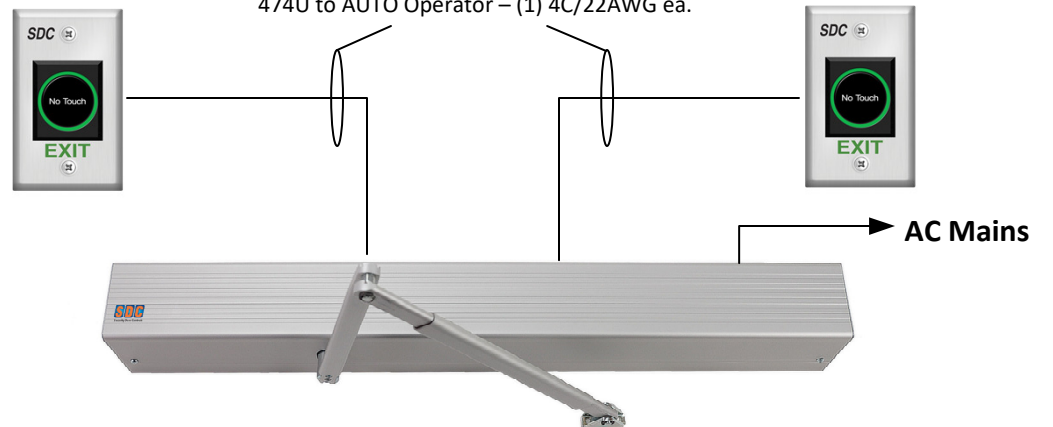
(4) WHERE REQUIRED BY CODE, CONNECT FAILSAFE SYSTEMS TO THE LOCAL FIRE LIFE SAFETY SYSTEM FOR EMERGENCY RELEASE.

(5) ALL LOW VOLTAGE SIGNAL WIRING SHALL BE 22-GAUGE MINIMUM. THE MINIMUM INDUCTIVE LOAD (LOCK) POWER WIRE GAUGE SHALL BE DETERMINED PER THE SDC WIRE GAUGE CHART. ALL WIRING (SINGLE OR MULTI-CONDUCTOR) SHALL BE COLOR CODED WITHOUT SPLICES. A MINIMUM OF TWO SPARE CONDUCTORS IS RECOMMENDED.

(6) VOLTAGE MAY NOT SPECIFIED ON THIS WIRE DIAGRAM. BE SURE ALL PRODUCTS ARE VOLTAGE COMPATIBLE.

© 2020 Security Door Controls Printed in U.S.A

Recommended Wiring:
474U to AUTO Operator – (1) 4C/22AWG ea.



Security Door Controls
801 Avenida Acaso
Camarillo, CA 93012
1805.494.0622 ~ 1805.494.8861
www.sdcsecurity.com

NOTE: ALL WIRING MUST BE REVIEWED AND APPROVED BY THE PROJECT ENGINEER ASSIGNED TO THE LOCATION FOR ITS CORRECTNESS AND SUITABILITY FOR THE APPLICATION IN WHICH THE EQUIPMENT IS INSTALLED AND OPERATED. ALL WIRING MUST CONFORM TO NATIONAL, STATE, AND LOCAL CODES FOR CLASS 2 FIRE PROTECTION AND CONTROL DEVICES.

PROJECT NAME: -		TITLE: -			SO NO.: -	REV -
LOCATION.:	DIST.:	CONTACT:	DATE:	DRAWN BY:	DWG. NO.: XXXX	Page 1 of 1