

COVID-19 Case Study: Stony Brook, New York

WESCO's Hauppauge Branch and Legrand supply 1,350 temporary Power Pedestals for COVID-19 response at the Stony Brook temporary hospital site

SITUATION

Due to the COVID-19 pandemic, The Army Corps of Engineers was tasked with converting the Stony Brook, NY site into a temporary hospital. The goal was to create an easy-to-install, hospital-grade power solution to provide the safe, temporary power required to run life-saving equipment for an ever-growing number of patients.

Unlike home and office applications, electronic devices used in healthcare facilities must meet strict grounding requirements to prevent injury to patients and staff members. The ideal solution should address the customized needs of this new urgent care facility, including eliminating tripping hazards, emergency and standard power switches, and quick installation.

SOLUTION

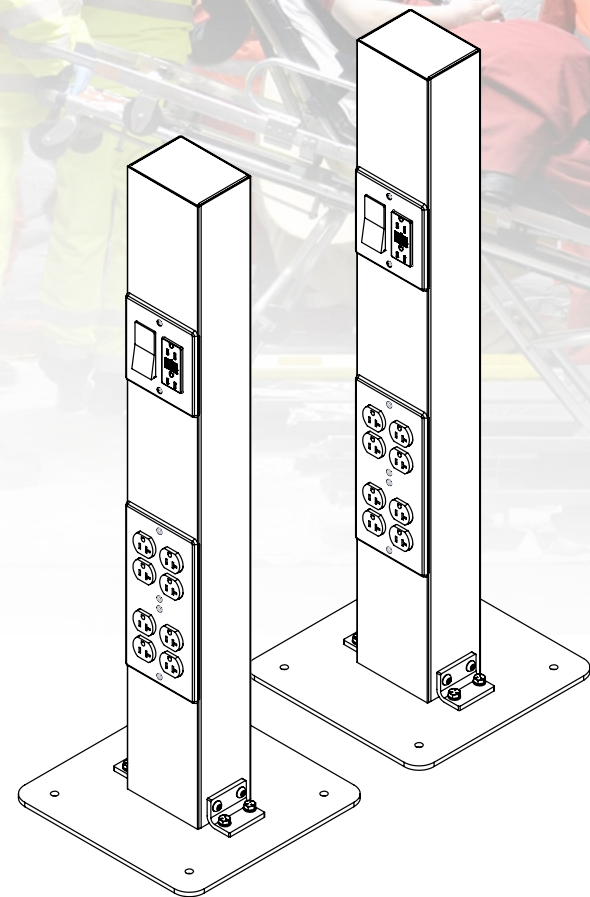
A valued WESCO supplier, Legrand was up to the task, offering made-to-order, temporary power pedestals specifically designed to meet the Stony Brook requirements. A suitable solution was available, and Jim Cretella, WESCO Sales Representative, was able to provide this solution to the customer quickly. As soon as the order was placed, Legrand addressed the urgency by escalating manufacturing to the front of the production line.

The WESCO Hauppauge branch had already been working tirelessly to address local needs as a result of the pandemic. Jude Lagalante, General Manager of the Hauppauge branch, described how his team is going above and beyond. "Staff has been working nights and weekends, even making urgent deliveries from personal vehicles when necessary."

RESULT

- WESCO and Legrand provided 1,350 custom power pedestals
- The order fulfilled in about five days

WESCO Hauppauge continues to prioritize urgent COVID-19 response orders to meet the needs of critical customers. WESCO is committed to supporting our essential business customers during this time.



WESCO is here to help with WHAT you need, WHERE you need it, WHEN you need it and HOW you need it...just call your local WESCO branch representative or check out our branch locator on [WESCO.com](https://www.wesco.com) for the WESCO branch nearest you.

