



# Emergency electrical solutions

For rapid scaling of temporary facilities.



- Easy-cleaning cable and outlet protection for wash-down areas
- Supporting and delivering power to temporary structures
- Cable bundling/fastening and identification components
- Temporary power systems

# Emergency electrical solutions

## Components and systems for rapid scaling of temporary facilities.

During these unpredictable and dangerous times, ABB Installation Products is uniquely positioned to provide immediate, affordable and customizable solutions to bring electricity from the junction box to the socket in demanding environments.

The quick construction of added hospital infrastructure to care for sick patients also means a quick need to provide electricity under demanding and possibly temporary situations. ABB Installation Products can provide customizable or standard solutions to meet your requirements.

### Wash-down/spray-down areas

Easy-cleaning components and systems to help protect electrical connections



#### T&B Liquidtight Systems®

##### Flexible metallic conduit and fittings

Complete systems of liquid-tight flexible metallic-cored conduit (FMC) and fittings.

- Superior protection from chemicals, solvents, high-pressure wash-down and more
- Stainless steel, aluminum, steel and other materials
- System ingress ratings per UL50/50E — matching enclosure ingress ratings
- Global certifications, including UL, CSA, IEC/EN, CE and RoHS

#### T&B® Fittings

##### Liquid-tight cord and cable fittings

Designed to protect cable or portable cord where it enters enclosures, panels or other equipment.

- Sealed entry limits the ingress of water and dust
- Stainless steel, aluminum, steel, nickel-plated brass and nylon materials
- Certifications include UL, CSA and others



#### T&B Fittings

##### Stainless steel rigid conduit, fittings and accessories

Expanded portfolio of rigid stainless steel conduit and fittings designed to withstand corrosive environments and meet stringent sanitary requirements.

- 304 and 316 stainless steel conduit in trade sizes from ½" to 6"
- 316 stainless steel conduit bodies with smooth hygienic markings for easy cleaning
- Stainless steel couplings, nipples, elbows, straps, clamps and more



---

## Temporary structures

Supporting and delivering power to temporary structures

### Steel City®

#### Electrical boxes and fittings

Since 1904, Steel City products have set the standard as the leading brand in electrical construction.

- Steel City boxes and covers are a complete solution for mounting devices and fixtures
- Steel City fittings are manufactured to strict tolerances for consistent performance
- Full complement of hangers, fittings, hardware, threaded rod and accessories



### Superstrut®

#### Metal framing system and accessories

With a complete portfolio of fittings, hardware and accessories to complete any metal framing job, Superstrut metal framing is the only system of its kind to provide multiple finishes for total corrosion protection.

- Industry-standard pre-galvanized and hot-dipped galvanized, plus GoldGalv® and SilverGalv® premium finishes
- Innovative, labor-saving accessories for fast, easy installation — including SuperMag™ magnetic strut fittings




---

## Fastening and identification

Bundle and identify wires and cables

### Ty-Rap®

#### High-performance cable ties and accessories

When performance matters, the pros reach for Ty-Rap brand cable ties.

- Exclusive Grip of Steel® 316 stainless steel locking device
- Smooth, rounded strap helps ensure even pressure across the tie and around the circumference of the bundle
- Solid body is stress-free for strength and durability



### EZCODE®

#### Identification products

EZCODE products are indispensable for safety and identification.

- Easy-to-use wire markers
- Hazard and safety signs and labels
- Marking tapes to help designate restricted areas



### Ty-Fast®

#### Ag+® anti-bacterial cable ties

A breakthrough fastening solution for bacteria-prone areas.

- The industry's first cable tie that inhibits microbial growth on the tie
- Helps to reduce spread of bacteria by not hosting microbial growth
- UL listed and FDA compliant material



## Temporary power

Delivering power when it's needed, where it's needed



### Ocal®

#### PVC-coated conduit, fittings and accessories

Complete line of corrosion-resistant PVC-coated conduit, fittings and accessories.

- Industry-leading thread protection through a hot-dipped galvanizing process
- Full undisturbed zinc coating under the PVC coating
- UL listed with both zinc coating and PVC coating investigated and listed per UL 6
- UL verified 4X conduit body meets the industry standard for protection against both corrosion and liquid ingress

### Steel City

#### Floor boxes

Ideal for providing permanent or temporary power access.

- Wide range of styles and sizes — custom configurable for any combination of power and data outlets
- Rugged, corrosion-resistant, solid aluminum or solid brass covers stand up to heavy traffic
- Compliant with UL 541 scrub water and ADA requirements



### Blackburn®

#### Single-conductor, one-hole mechanical lugs

Feature slot-head screws for easy installation with just a standard screwdriver.

- Type L copper lugs accept copper conductors from #14 AWG solid to #8 AWG stranded (L35) or #4 AWG stranded (L70)
- Type ADR dual-rated aluminum lugs accept aluminum or copper conductors from #14 AWG solid to #6 AWG stranded (ADR6) or 1/0 AWG stranded (ADR11)
- UL listed (Type L are also CSA certified)



### Blackburn

#### Grounding clamps

High-quality clamps for safe grounding.

- Type JAB copper alloy ground clamps feature socket set screws and are UL listed for direct burial
- JAB12 connects #10 AWG solid to #2 AWG stranded conductor to ½" ground rod
- JAB58 connects #8 AWG solid to 1/0 AWG stranded conductor to ¾" ground rod
- Type J cast bronze ground clamp connects #10 AWG solid to #2 AWG stranded conductor to ½" to 1" water pipe or copper tube
- UL listed



### Blackburn

#### High-strength split-bolt connectors

For quick, temporary power connections.

- For copper-to-copper connections
- 8H connects #8 AWG stranded to #10 AWG solid equal main and tap
- 6H connects #6 AWG solid to #8 AWG solid equal main and tap
- 4H connects #4 AWG solid to #8 AWG solid equal main and tap
- All connect #14 solid min. tap with one max. main
- UL listed and CSA certified



# Emergency electrical solutions

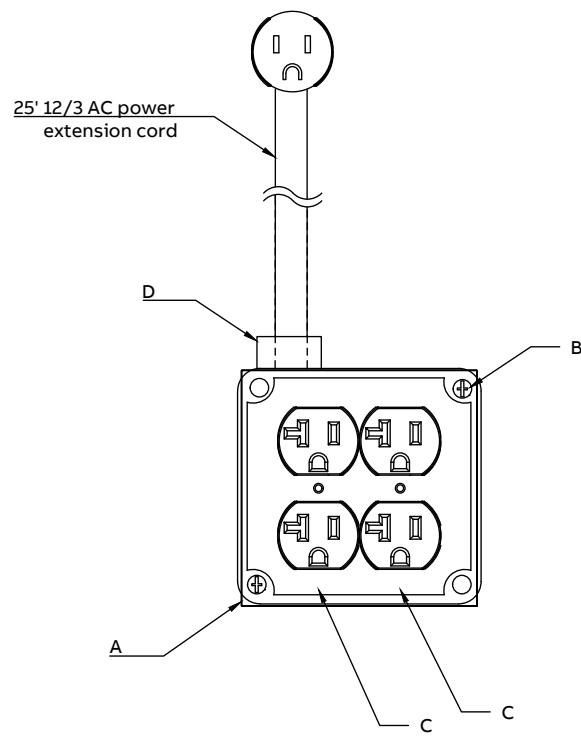
## eFab<sup>®</sup> services for rapid scaling of temporary facilities.

Because medical treatment facilities are needed quickly and in a variety of conditions and settings, the ABB eFab program is available to help fast-track your project.



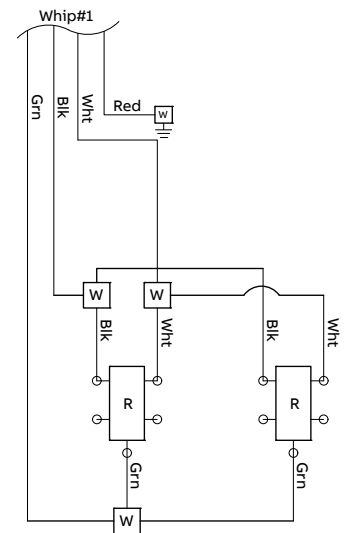
The eFab group can take any of our ABB products and customize a solution to suit your needs with everything from engineering drawings through pre-assembled final product and every step in between.

- In-stock quick-ship general pre-fabricated electrical assemblies
- Hospital-grade portable outlet assemblies
- Custom design services for electrical branch wiring
- Quick shipment of cut-to-length strut



— Hospital grade standard duplex x 2

Wire diagram



Note:  
Hook type pigtails only.

- Legend
- Black - Hot 120V IN
  - White - Neutral
  - Green - Ground
  - W - Wago
  - R - receptacle





—  
ABB Installation Products can provide customizable or standard solutions to meet your requirements.

---

## Contact us

Through these trying times, ABB Installation Products is here to help. Bringing electricity from the transformer to the socket is our specialty. We have the products, services and knowledge to assist you. Please contact one of the following individuals to bring help where it is needed.



**Keith Babcock**  
District Sales Manager  
Newburyport, MA  
keith.babcock@us.abb.com  
978-478-8920

**Joe Burnett**  
District Sales Manager  
San Marcos, CA  
joseph.burnett@us.abb.com  
858-312-9658

**Brian Knoup**  
District Sales Manager  
Murfreesboro, TN  
brian.knoup@us.abb.com  
770-335-2461

**Todd Smith**  
District Sales Manager  
Zionsville, IN  
todd.a.smith@us.abb.com  
317-777-1887

**Brian Dibley**  
District Sales Manager  
Woodbury, MN  
brian.dibley@us.abb.com  
847-323-9532

**Scott Dunnington**  
District Sales Manager  
Canton, GA  
scott.dunnington@us.abb.com  
678-822-7762

**Lauren Wescott**  
District Sales Manager  
Addison, TX  
lauren.wescott@us.abb.com  
214-288-7628

**Dean Chafin**  
District Sales Manager  
Phoenix, AZ  
dean.chafin@us.abb.com  
602-706-5135

**Christy Tilton**  
Vice President of Sales  
ABB Installation Products  
christy.tilton@us.abb.com  
480-236-6340



---

**ABB Installation Products Inc.**

Electrification Business  
860 Ridge Lake Blvd.  
Memphis, TN 38120

**[tnb.abb.com](http://tnb.abb.com)**

